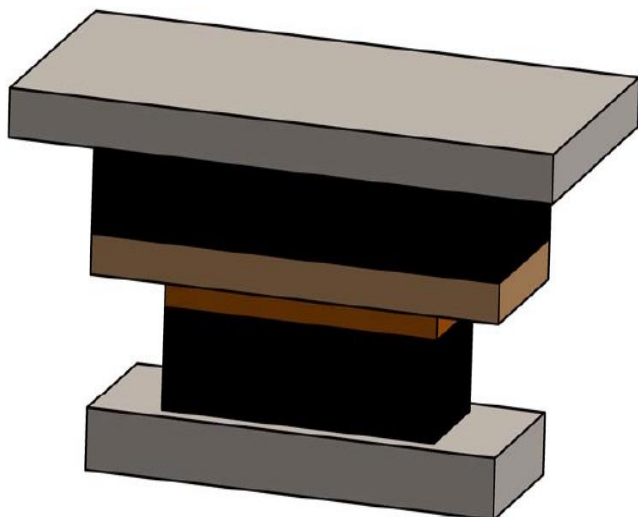
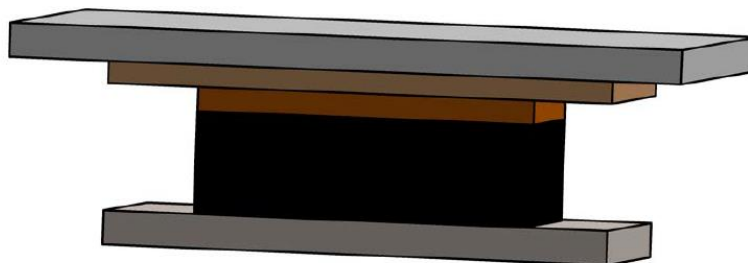
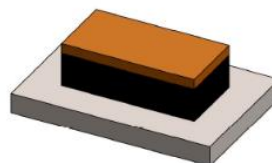
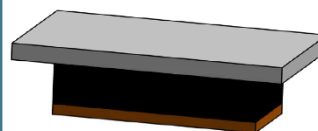
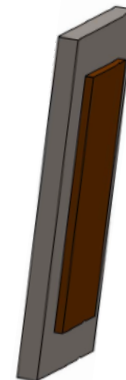
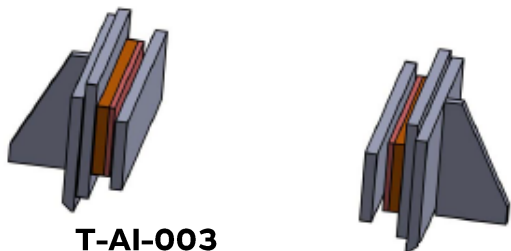
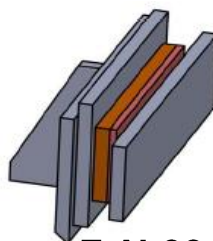
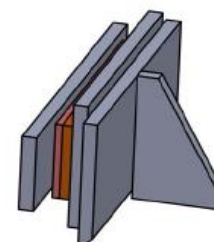




TORGY

ACOUSTIC INSULATION

01

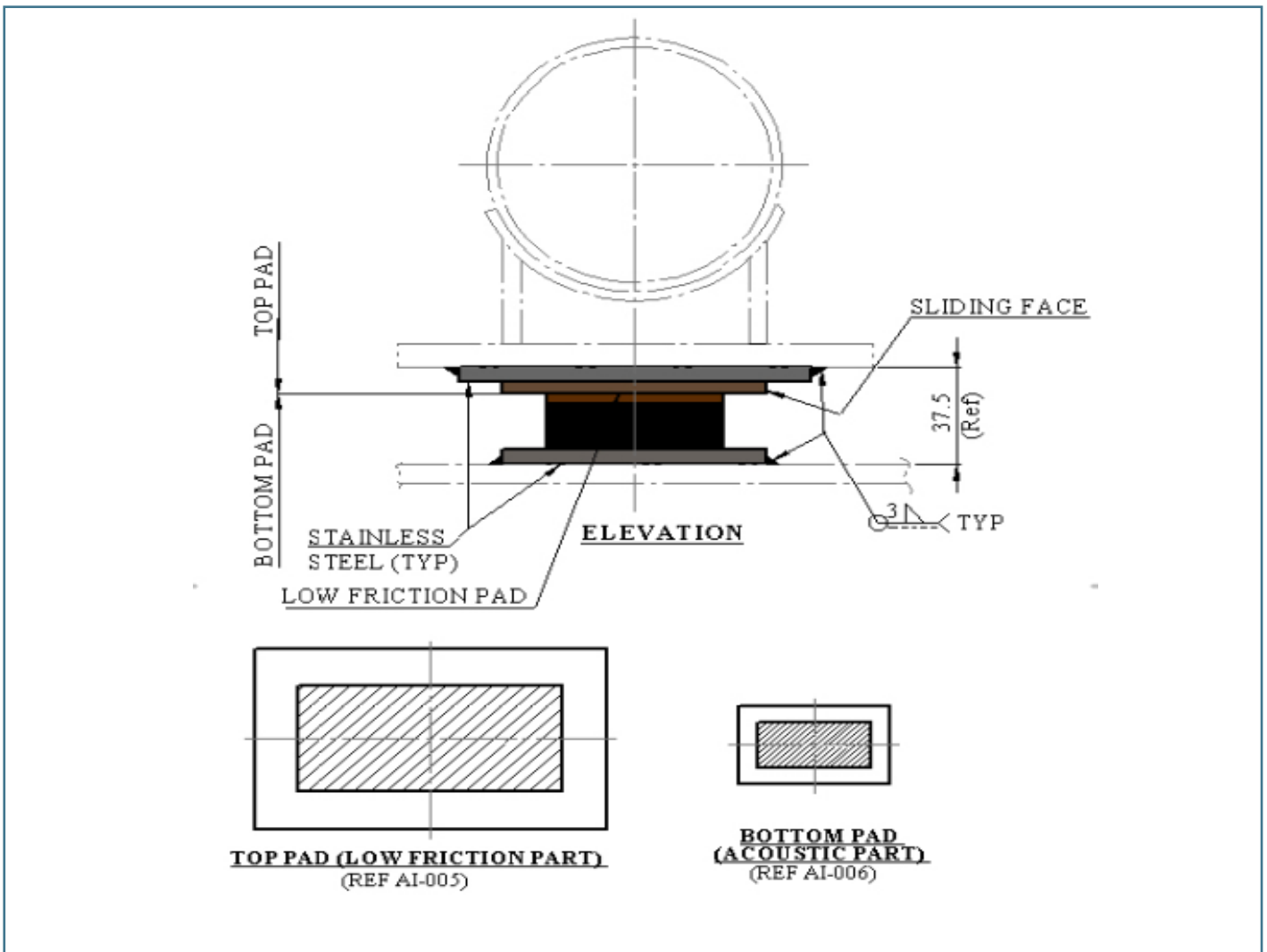
ACOUSTIC INSULATION
T-AI-001
**LOW FRICTION /
ACOUSTIC DAMPING UNIT**

T-AI-002
**LOW FRICTION / ACOUSTIC DAMPING /
COLD ISOLATION UNIT**

T-AI-006
**LOW FRICTION
ACOUSTIC PAD**

T-AI-007
**LOW FRICTION /
COLD ISOLATING PAD**

T-AI-005
**LOW
FRICTION PAD**

T-AI-003
GUIDE FOR ACOUSTIC LINES

T-AI-004
LINE STOP FOR ACOUSTIC LINES


AI-001	LOW FRICTION / ACOUSTIC DAMPING UNIT
---------------	---

TYPICAL PART NUMBER	AVAILABLE MATERIAL SHORT CODE	STD DETAIL TEMPERATURE LIMITATION	
		MAX. DESIGN TEMP	MIN. DESIGN TEMP
T-AI-001-000A	N/A	200 ° C	(-) 46 ° C

TYPE	TOP PAD	BOTTOM PAD	LOAD RANGE (kN)	WEIGHTS (in kg)
T-AI-001-000A	T-AI-005-000A	T-AI-006-000A	21	1.5
T-AI-001-000B	T-AI-005-000B	T-AI-006-000B	35	1.6
T-AI-001-000C	T-AI-005-000C	T-AI-006-000C	54	2
T-AI-001-000D	T-AI-005-000D	T-AI-006-000D	74	2
T-AI-001-000E	T-AI-005-000E	T-AI-006-000E	116	3

Co-efficient of Friction = 0.1
 Load Range = 7 MPa.
 Young's modulus of Acoustic Material to be between 50 / 60 MPa.



AI-002
LOW FRICTION / ACOUSTIC DAMPING UNIT / COLD ISOLATION UNIT

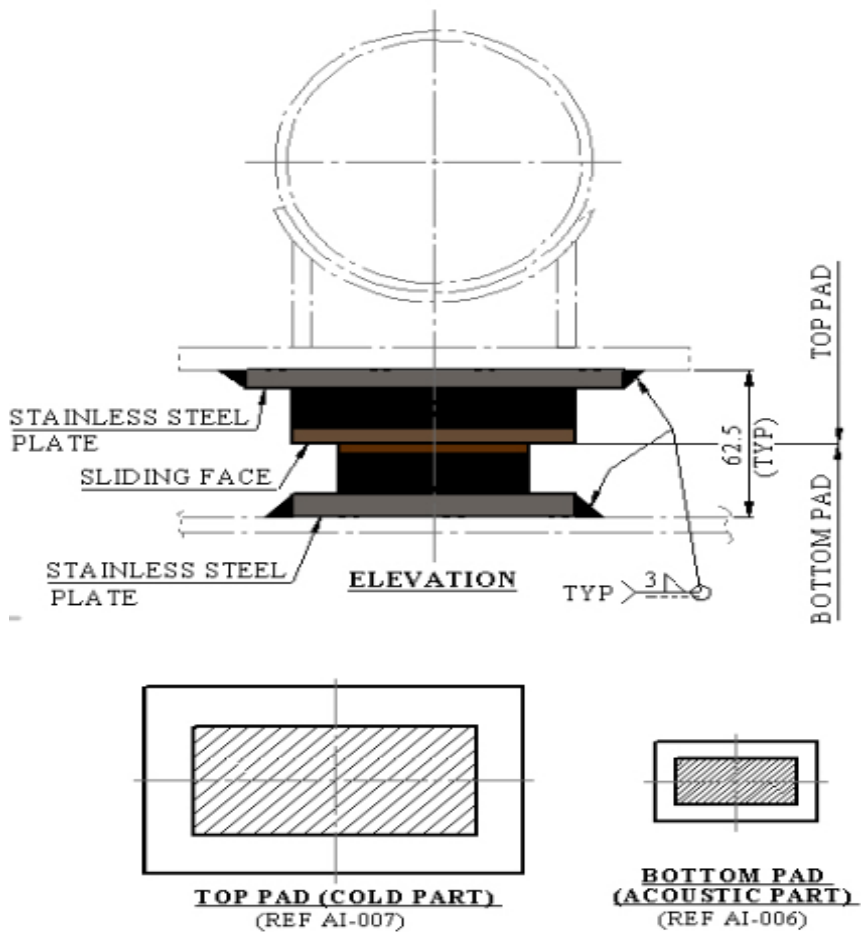
TYPICAL PART NUMBER	AVAILABLE MATERIAL SHORT CODE	STD DETAIL TEMPERATURE LIMITATION	
		MAX. DESIGN TEMP	MIN. DESIGN TEMP
T-AI-002-000A	N/A	200 °C	(-) 70 °C

TYPE	TOP PAD	BOTTOM PAD	LOAD RANGE (kN)	WEIGHTS (in kg)
T-AI-002-000A	T-AI-007-000A	T-AI-006-000A	21	1
T-AI-002-000B	T-AI-007-000B	T-AI-006-000B	35	1
T-AI-002-000C	T-AI-007-000C	T-AI-006-000C	54	2
T-AI-002-000D	T-AI-007-000D	T-AI-006-000D	74	3
T-AI-002-000E	T-AI-007-000E	T-AI-006-000E	116	4

Co-efficient of Friction = 0.1

Load Range = 7 MPa.

Young's modulus of Acoustic Material to be between 50 / 60 MPa.

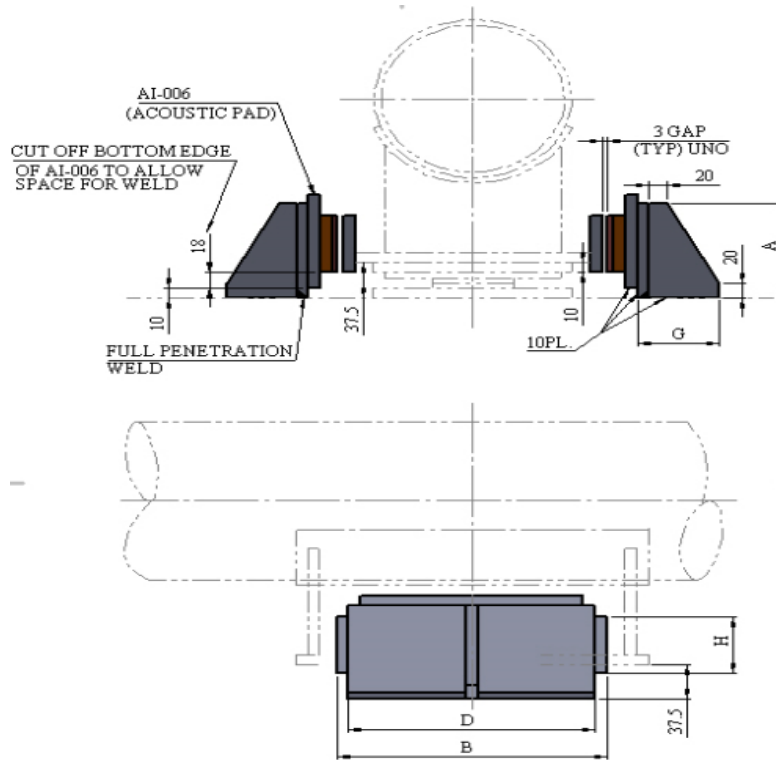


AI-003
GUIDE FOR ACOUSTIC LINES

TYPICAL PART NUMBER	AVAILABLE MATERIAL SHORT CODE	STD DETAIL TEMPERATURE LIMITATION	
		MAX. DESIGN TEMP	MIN. DESIGN TEMP
T-AI-003-000A-CS	CS	200 °C	(-) 46 °C
T-AI-003-000A-SS	SS	200 °C	(-) 46 °C
T-AI-003-000A-SS / TI (TI GUIDE PLATE ON SHOE)	SS / Ti	200 °C	(-) 46 °C

TYPE	A	B	D	G	H	ACOUSTIC PAD	LOAD RANGE (kN)	WEIGHTS (in kg)	
								CS	SS
T-AI-003-000A	95	180	140	70	50	T-AI-006-000A	21	5	5.2
T-AI-003-000B	95	220	180	90	50	T-AI-006-000B	35	6	6.2
T-AI-003-000C	115	220	180	90	70	T-AI-006-000C	54	8	8.2
T-AI-003-000D	115	260	220	110	70	T-AI-006-000D	74	10	10.2
T-AI-003-000E	155	260	220	160	110	T-AI-006-000E	116	15	15.2

Select Guide Arrangement in accordance with Loads and Size of unit.
 Do not overheat during Installation.
 Load Range = 7 MPa.
 Young's modulus of Acoustic Material to be between 50 / 60 MPa.



AI-004
LINE STOP FOR ACOUSTIC LINES

TYPICAL PART NUMBER	AVAILABLE MATERIAL SHORT CODE	STD DETAIL TEMPERATURE LIMITATION	
		MAX. DESIGN TEMP	MIN. DESIGN TEMP
T-AI-004-000A-CS	CS	200 °C	(-) 46 °C
T-AI-004-000A-SS	SS	200 °C	(-) 46 °C
T-AI-004-000A-SS / TI (TI STOP PLATE ON SHOE)	SS / TI	200 °C	(-) 46 °C

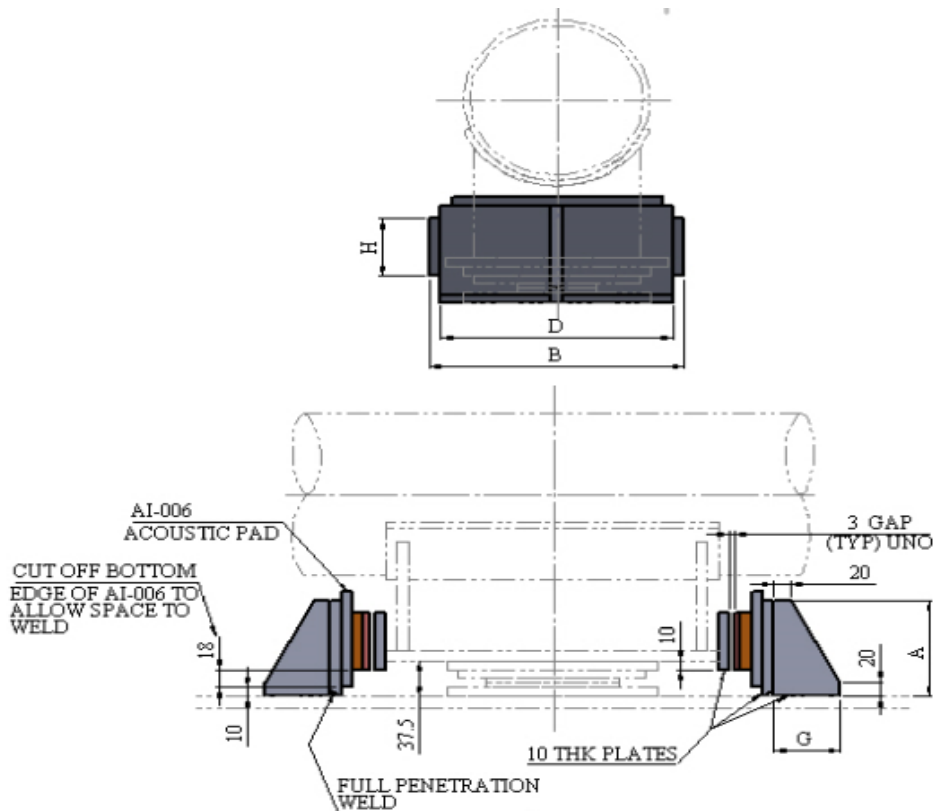
TYPE	A	B	D	G	H	ACOUSTIC PAD	LOAD RANGE (kN)	WEIGHTS (in kg)	
								CS	SS
T-AI-004-000A	95	180	140	70	50	T-AI-006-000A	21	5	5.2
T-AI-004-000B	95	220	180	90	50	T-AI-006-000B	35	6	6.2
T-AI-004-000C	115	220	180	90	70	T-AI-006-000C	54	8	8.2
T-AI-004-000D	115	260	220	110	70	T-AI-006-000D	74	10	10.2
T-AI-004-000E	155	260	220	160	110	T-AI-006-000E	116	15	15.2

Select Line Stop Arrangement in accordance with loads and size of unit.

Do not overheat during Installation.

Load Range = 7 MPa.

Young's modulus of Acoustic Material to be between 50 / 60 MPa.

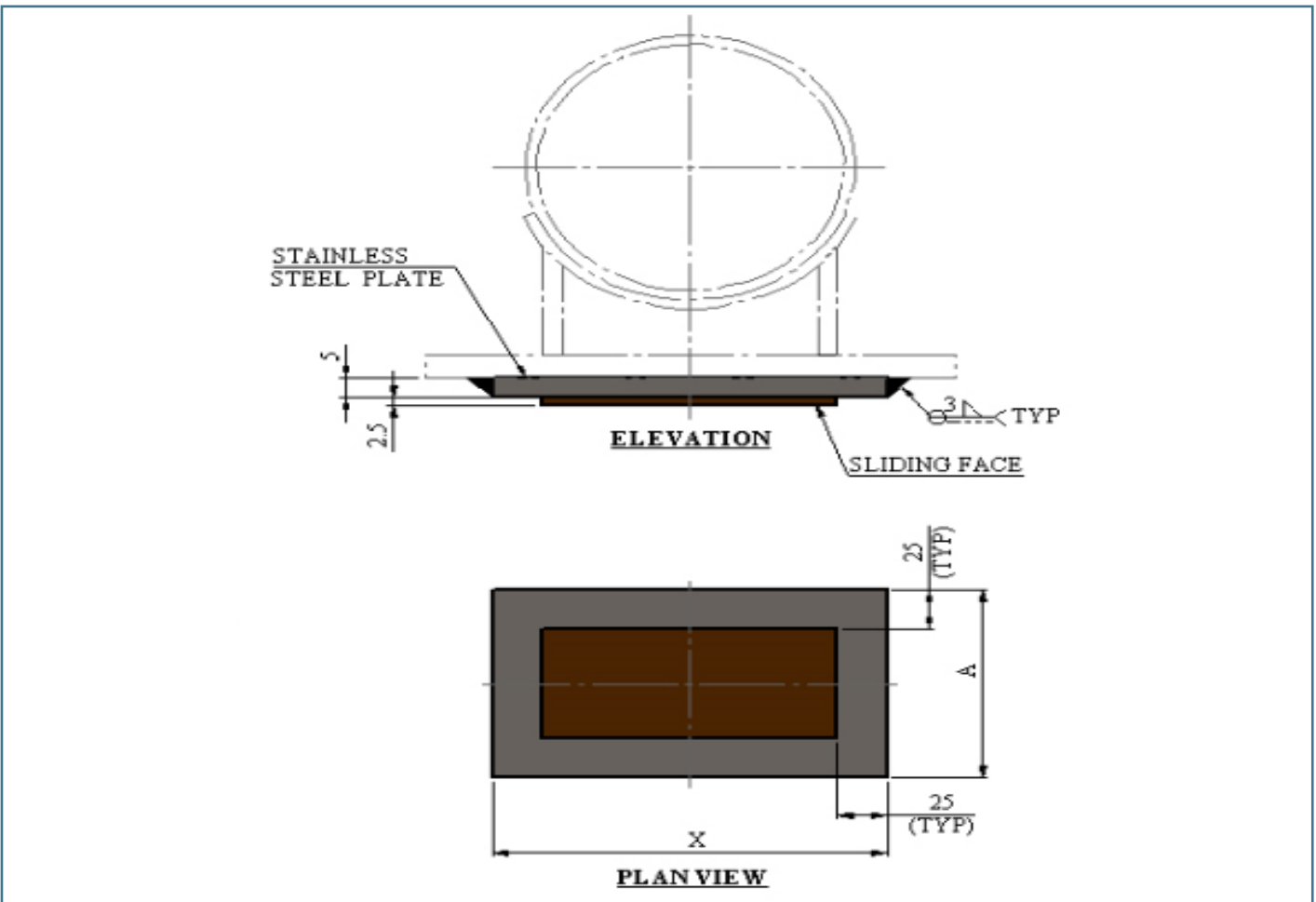


AI-005	LOW FRICTION PAD
---------------	-------------------------

TYPICAL PART NUMBER	AVAILABLE MATERIAL SHORT CODE	STD DETAIL TEMPERATURE LIMITATION	
		MAX. DESIGN TEMP	MIN. DESIGN TEMP
T-AI-005-000A	NA	200 °C	(-) 46 °C

TYPE	X	A		LOAD RANGE (kN)	WEIGHTS (in kg)
T-AI-005-000A	160	120		54	0.8
T-AI-005-000B	200	120		74	1
T-AI-005-000C	21	140		101	1
T-AI-005-000D	250	140		126	1.4
T-AI-005-000E	250	180		182	1.8

Co-efficient of Friction = 0.1
 Load Range = 7 MPa.



AI-006
LOW FRICTION ACOUSTIC PAD

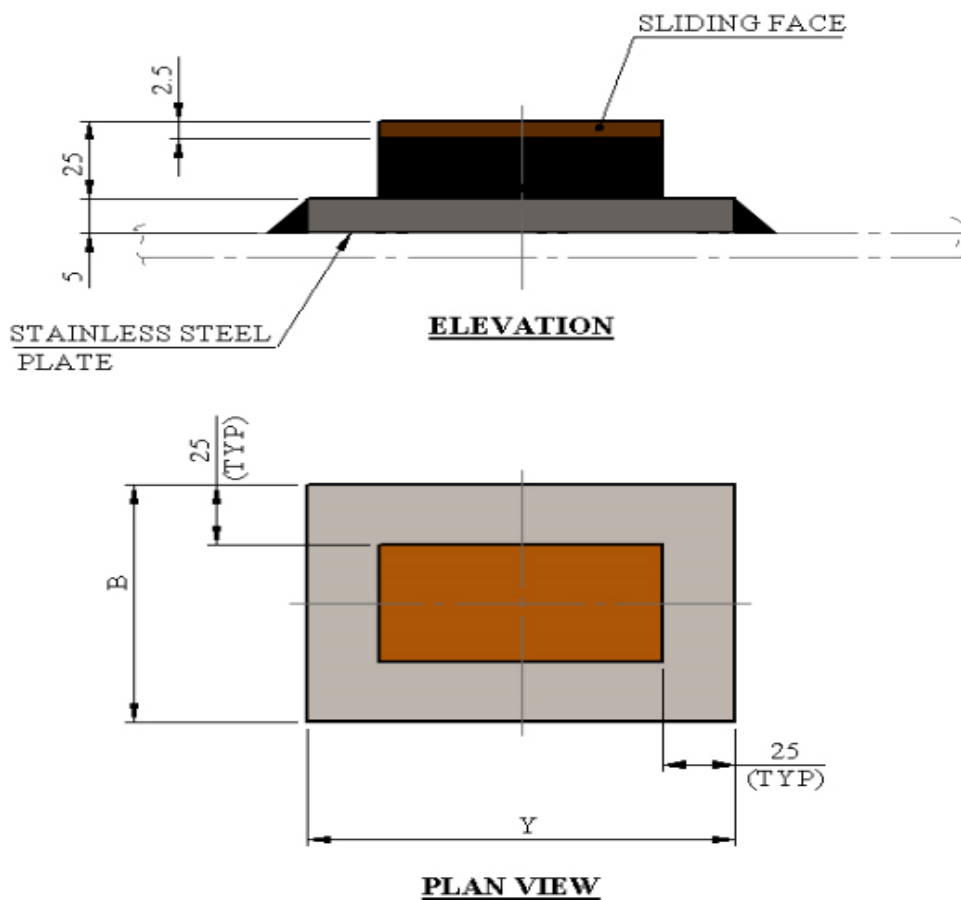
TYPICAL PART NUMBER	AVAILABLE MATERIAL SHORT CODE	STD DETAIL TEMPERATURE LIMITATION	
		MAX. DESIGN TEMP	MIN. DESIGN TEMP
T-AI-006-000A	NA	200 °C	(-) 46 °C

TYPE	Y	B		LOAD RANGE (kN)	WEIGHTS (in kg)
T-AI-006-000A	110	100		21	0.5
T-AI-006-000B	150	100		35	0.8
T-AI-006-000C	160	120		54	1
T-AI-006-000D	200	120		74	1.3
T-AI-006-000E	200	160		116	1.7

Co-efficient of Friction = 0.1

Load Range = 7 MPa.

Young's modulus of Acoustic Material to be between 50 / 60 MPa.



AI-007
LOW FRICTION / COLD ISOLATING PAD

TYPICAL PART NUMBER	AVAILABLE MATERIAL SHORT CODE	STD DETAIL TEMPERATURE LIMITATION	
		MAX. DESIGN TEMP	MIN. DESIGN TEMP
T-AI-007-000A	N/A	200 °C	(-) 70 °C

TYPE	X	A		LOAD RANGE (kN)	WEIGHTS (in kg)
T-AI-007-000A	160	120		54	4.8
T-AI-007-000B	200	120		74	4.9
T-AI-007-000C	210	140		101	5.1
T-AI-007-000D	250	140		126	5.3
T-AI-007-000E	250	180		182	5.6

Co-efficient of Friction = 0.1
Load Range = 7 MPa.

