



**TORGY**

# **FLANGE SUPPORT**

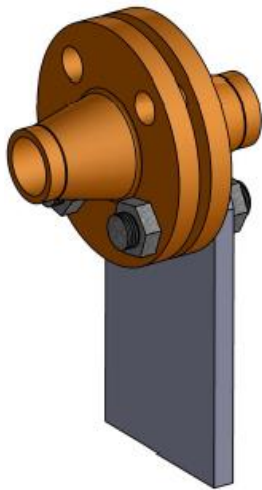
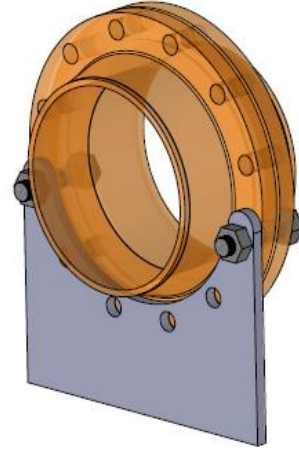
**03**

---

## FLANGE SUPPORT

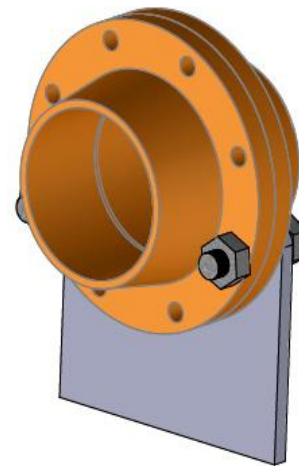
**T-FS-001**

**FLANGE SUPPORT (ANSI)  
2" - 24"**



**T-FS-002**

**SMALL BORE FLANGE SUPPORT  
(ANSI) 1/2" - 1 1/2"**



**T-FS-003**

**FLANGE SUPPORT  
(SPO COMPACT FLANGE SYSTEM) 2" -24**

**FS -001**
**FLANGE SUPPORT (ANSI) 50-600MM / 2" - 24"**

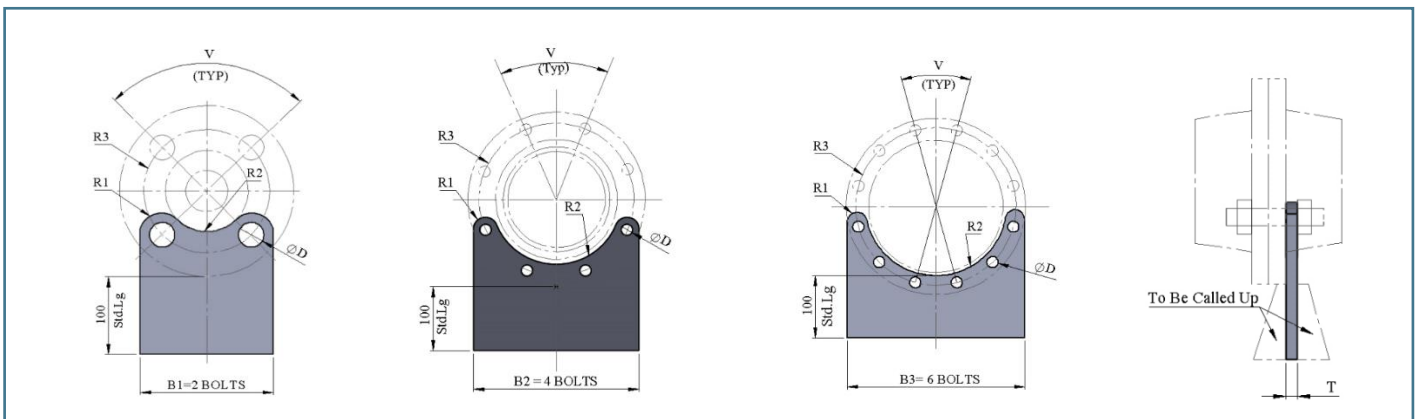
NPS in (inch)	CLASS	R1	R2	R3	D	T	B1	B2	B3	ANGLE V	NO.OF BOLTS (N)
2"	150 #	15	45.3	60.3	20	10	115.3			90	4
	300 #	19	44.5	63.5	20	10	86.6	155.3		45	8
	600 #	19	44.5	63.5	20	10	86.6	155.3		45	8
	900 #	25	57.55	82.55	26	10	113.2	202.5		45	8
	1500 #	25	57.55	82.55	26	10	113.2	202.5		45	8
3"	150 #	18	58.2	76.2	20	10	143.7			90	4
	300 #	20	64.15	84.15	22	10	104.4	195.5		45	8
	600 #	20	64.15	84.15	22	10	104.4	195.5		45	8
	900 #	25	70.25	95.25	26	10	122.9	226		45	8
	1500 #	32	69.6	101.6	32	10	141.8	251.7		45	8
4"	150 #	19	76.25	95.25	20	10	110.9	214		45	8
	300 #	22	78	100	22	10	120.5	228.8		45	8
	600 #	28	80	108	26	10	138.7	255.6		45	8
	900 #	28	89.5	117.5	33	10	145.9	273.1		45	8
	1500 #	35	85.7	120.7	35	10	162.4	293		45	8
6"	150 #	19	101.65	120.65	22	10	130.3	260.9		45	8
	300 #	24	110.95	134.95	22	10		238.8	308.7	30	12
	900 #	30	128.75	158.75	33	10		284.5	366.7	30	12
8"	150 #	22	127.2	149.2	22	10	158.2	319.7		45	8
	300 #	25	140.1	165.1	26	15		283.5	368.9	30	12
	900 #	38	158.85	196.85	39	15		354.4	456.3	30	12
10"	150 #	22	159	181	26	15		300	393.7	30	12
	300 #	28	165.7	193.7	30	15		271.2	378.1	22.5	16
	600 #	35	181	216	35	15		310	429.2	22.5	16
	900 #	38	196.95	234.95	39	15		337	466.7	22.5	16
12"	150 #	25	190.9	215.9	26	15		355.3	467.1	30	12
	300 #	35	190.4	225.4	33	15		320.4	444.8	22.5	16
	900 #	38	228.7	266.7	39	15			453.2	18	20
14"	150 #	28	210.1	238.1	30	15		392.7	516	30	12
	300 #	35	222.2	257.2	33	15			433.7	18	20
	900 #	40	239.4	279.4	42	15			475.1	18	20
16"	150 #	28	241.9	269.9	30	15		355.9	504.8	22.5	16
	300 #	38	247.75	285.75	36	15			480.1	18	20
	900 #	44	264	308	45	20			523.6	18	20
18"	150 #	28	260.9	288.9	33	15		377	536.4	22.5	16
	300 #	41	273.3	314.3	36	15			464.4	15	24
	900 #	50	292.9	342.9	52	20			584.9	18	20
20"	150 #	30	287.5	317.5	33	15			509	18	20
	300 #	44	298.9	342.9	36	15			505.5	15	24
	900 #	53	321.65	374.65	56	20			635.8	18	20
24"	150 #	30	344.65	374.65	36	15			589.8	18	20
	300 #	50	356.4	406.4	42	15			594.8	15	24
	900 #	68	382.85	450.85	68	20			773.6	18	20

Material in support plate to be compatible with parent Flange.

Standard component name: FS-001-0050-0150-B1-CS/SS/Du/6Mo (Standard- Size -Class-Width-Material).

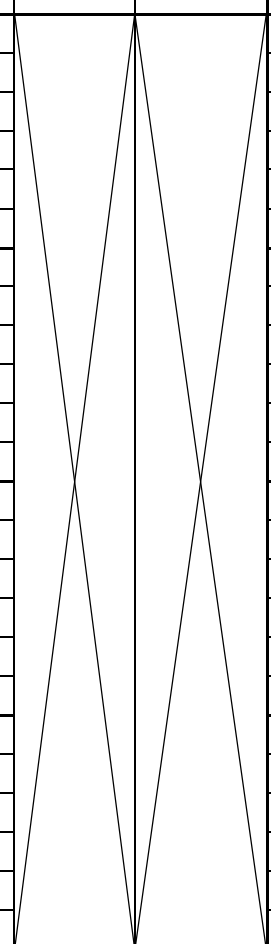
Only to be used for Rest loads. Details in accordance with ANSI B16-5 flange.

Details in accordance with ANSI B16-5 flange.

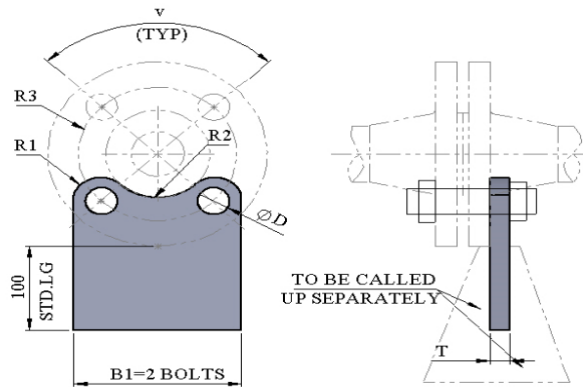


**FS-002**

**SMALL BORE FLANGE SUPPORT (ANSI) 15-40MM / 1/2" – 1 1/2"**

NPS in (inch)	CLASS	R1	R2	R3	D	T	B1	B2	B3	ANGLE V	NO. OF BOLTS (N)
1/2"	150 #	14	16.1	30.2	16	10	70.6			90	4
	300 #	14	19.3	33.4	16	10	75.2			90	4
	600 #	14	19.3	33.4	16	10	75.2			90	4
	900 #	19	22.3	41.3	23	10	96.4			90	4
	1500 #	19	22.3	41.3	23	10	96.4			90	4
	2500 #	20	24.4	44.5	23	10	102.9			90	4
3/4"	150 #	14	20.9	34.9	16	10	77.4			90	4
	300 #	17	24.3	41.3	20	10	92.4			90	4
	600 #	17	24.3	41.3	20	10	92.4			90	4
	900 #	20	24.4	44.5	23	10	102.9			90	4
	1500 #	20	24.4	44.5	23	10	102.9			90	4
	2500 #	20	26.6	47.6	23	10	108.3			90	4
1"	150 #	14	25.7	39.7	16	10	84.1	90	4		
	300 #	17	27.4	44.5	20	10	96.9	90	4		
	600 #	23	27.4	44.5	20	10	96.9	90	4		
	900 #	23	27.8	50.8	26	10	117.8	90	4		
	1500 #	23	27.8	50.8	26	10	117.8	90	4		
	2500 #	24	30.2	54	26	10	124.5	90	4		
1.5"	150 #	14	35.2	49.2	16	10	97.6	90	4		
	300 #	20	37.1	57.2	23	10	120.8	90	4		
	600 #	20	37.1	57.2	23	10	120.8	90	4		
	900 #	27	34.9	61.9	30	10	141.5	90	4		
	1500 #	27	34.9	61.9	30	10	141.5	90	4		
	2500 #	33	43	73	32	10	163.3	90	4		

Material in support plate to be compatible with parent Flange.  
 Standard component Name: FS-002-0015-0150-B1-CS/SS/Du/6Mo  
 (Standard- Size –Class-Width-Material).  
 Only to be used for Rest loads.  
 Details in accordance with ANSI B16-5 Flange.



**FS-003**
**FLANGE SUPPORT ( SPO COMPACT FLANGE SYSTEM) 50-600MM / 2-24"**

NPS in (inch)	CLASS	R1	R2	R3	D	T	B1	B2	B3	ANGLE V	NO.OF BOLTS (N)
2"	600 #	13	42	55	15	10	68.1	127.6	N/A	45	8
	900 #	13	42	55	15	10	68.1	127.6	N/A	45	8
	1500 #	13	42	55	15	10	68.1	127.6	N/A	45	8
	2500 #	13	43	58	18	10	74.4	137.2	N/A	45	8
3"	600 #	13	54.5	67.5	15	10	60.9	121.5	156.4	30	12
	900 #	13	54.5	67.5	15	10	60.9	121.5	156.4	30	12
	1500 #	16	58	74	18	10	70.3	136.7	175	30	12
	2500 #	21	62	83	25	10	105.5	195.4	N/A	45	8
4"	600 #	15	71	86	18	10	74.5	151.6	196.1	30	12
	900 #	15	71	86	18	10	74.5	151.6	196.1	30	12
	1500 #	18	75.5	93.5	22	10	84.4	168.2	216.6	30	12
	2500 #	24	76	100	29	10	124.5	232.8	N/A	45	8
6"	600 #	15	98.5	113.5	18	10	88.8	190.5	249.3	30	12
	900 #	15	101	116	18	10	75.3	158.9	222.9	22.5	16
	1500 #	24	105.5	129.5	29	15	115	231.1	298.2	30	12
	2500 #	26	108.5	134.5	32	15	121.6	242.2	311.8	30	12
8"	600 #	16	124	140	18	15	75.8	159.1	230	18	20
	900 #	18	128.5	146.5	22	15	81.8	169	243.2	18	20
	1500 #	24	134.5	158.5	29	15	109.8	224.1	311.6	22.5	16
	2500 #	32	140	172	38	15	153	307.2	396.3	30	12
10"	600 #	18	154.5	172.5	22	15	90	192.6	280	18	20
	900 #	21	156.5	177.5	25	15	97.5	203.2	293	18	20
	1500 #	29	168	197	35	15	134.9	276.9	385.6	22.5	16
	2500 #	35	172.5	207.5	42	15	151	300.6	415.1	22.5	16
12"	600 #	21	183	204	25	15	105.8	227.2	330.5	18	20
	900 #	24	183	207	29	15	112.8	236	340.7	18	20
	1500 #	29	195.5	224.5	35	15	128.2	261.8	375.5	18	20
	2500 #	40	201.5	241.5	49	15	174.2	348.3	481.6	22.5	16
14"	600 #	21	198.5	219.5	25	15	99.3	210	309.2	15	24
	900 #	24	200.5	224.5	29	15	106.6	219.8	321.3	15	24
	1500 #	32	214.5	246.5	38	15	141.1	287.8	412.6	18	20
	2500 #	43	222.5	265.5	52	15	189.6	381	527.5	22.5	16
16"	600 #	24	225.5	249.5	29	15	113.1	239	351.8	15	24
	900 #	26	231	257	32	15	119.1	248.7	364.9	15	24
	1500 #	35	242.5	277.5	42	15	156.8	322	462.4	18	20
	2500 #	51	256.5	307.5	62	15	222	443.7	613.4	22.5	16
18"	600 #	27	253	280	32	15	127.1	268.3	394.9	15	24
	900 #	29	258	287	35	15	132.9	277.7	407.4	15	24
	1500 #	41	270	311	49	15	179.3	364.4	521.8	18	20
	2500 #	52	286	338	62	15	235.9	479.6	666.1	22.5	16
20"	600 #	26	279.5	305.5	32	15	120.4	253.8	377.1	12.8	28
	900 #	32	286	318	38	15	147	307.4	451.2	15	24
	1500 #	43	302.5	345.5	52	15	194.1	399.7	574.6	18	20
	2500 #	57	310.5	367.5	68	15	257.4	522.3	725.1	22.5	16
24"	600 #	29	334	363	35	15	139.4	297.8	444.3	12.8	28
	900 #	38	339	377	45	15	174.4	364.5	535	15	24
	1500 #	52	362.5	414.5	62	15	233.7	480.4	690.2	18	20
	2500 #	74	371.5	445.5	88	15	321.8	643	888.8	22.5	16

Material in support plate to be compatible with parent Flange.

Standard component name: FS-003-0150-1500-B1-CS/SS/Du/6Mo (Standard- Size –Class-Width-Material).

Only to be used for Rest Loads

