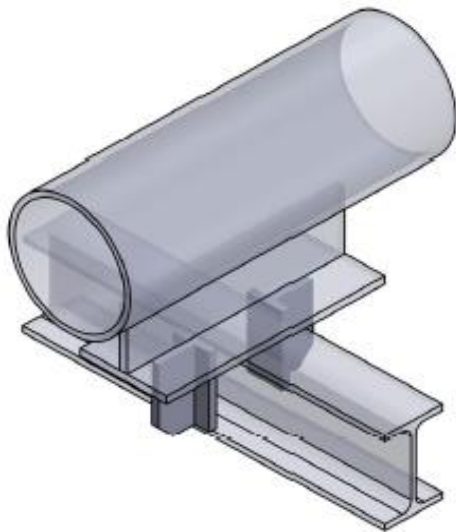
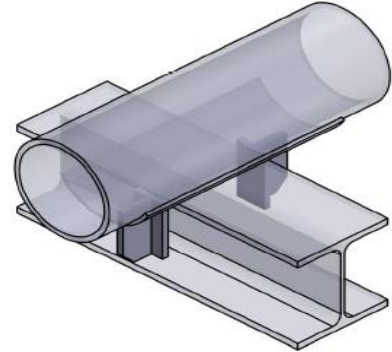
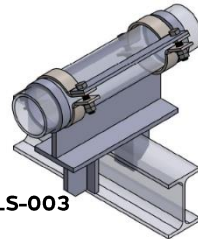


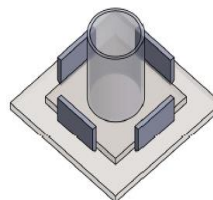
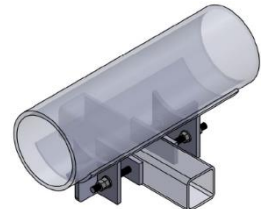
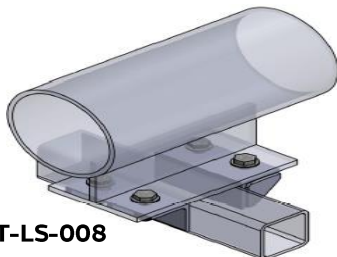
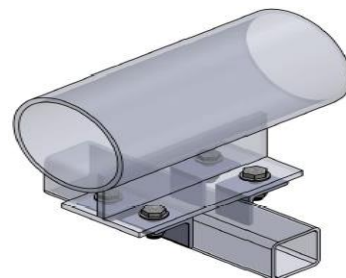


TORGY

LINE STOPS

06

LINE STOPS
T-LS-001
**LINE STOP FOR NON INSULATED
LINES 50-1200mm / 2" – 48"**

T-LS-002
**LINE STOPS FOR SHOES / TRUNNION
50- 1200mm / 2" – 48"**

T-LS-003
**LINE STOP FOR SHOE ON
GRE / GRP-LINES 50-
1400mm / 2" – 56"**

T-LS-004
**ADJUSTABLE LINE STOP /
LINE GUIDE**

T-LS-005
**STOP FOR POST BASE
PLATE**

T-LS-006
**ADJUSTABLE LINE STOP
FOR NON INSULATED LINES
080 -750mm/3"-30"**

T-LS-008
**BOLTED LINE STOP FOR SHOES WITH
DOUBLE NUT (NO LIFT-OFF)**

T-LS-010
**BOLTED LINE STOP WITH BRACE
FOR SHOES**

LS-001
LINE STOP FOR INSULATED LINES 50 – 1200MM / 2” – 48”

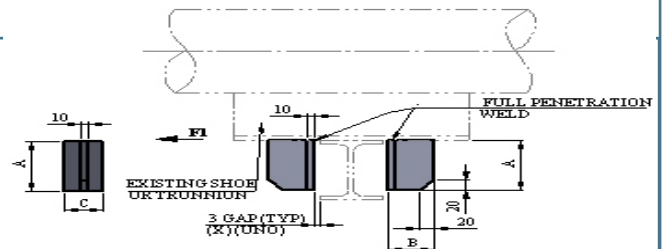
| TYPICAL PART NUMBER | AVAILABLE MATERIAL SHORT CODE | STD DETAIL TEMPERATURE LIMITATION | |
|---------------------|-------------------------------|-----------------------------------|-------------------|
| | | MAX. DESIGN TEMP. | MIN. DESIGN TEMP. |
| T-LS-001-(DN)-CS | CS | As for Line Spec. | (-) 46 °C |
| T-LS-001-(DN)-SS | SS | As for Line Spec. | (-) 105 °C |
| T-LS-001-(DN)-Du | Du | As for Line Spec. | (-) 46 °C |
| T-LS-001-(DN)-6Mo | 6Mo | As for Line Spec. | (-) 105 °C |
| T-LS-001-(DN)-Ti | Ti | As for Line Spec. | (-) 196 °C |

| TYPE | LINE SIZE | | A | B | C | Qty. | MAXIMUM LOADS FI (kN) (See note) | | | | | WEIGHTS (in kg) CS |
|---------------|-----------|---------------|-----|-----|-----|------|-------------------------------------|-----------------|---------|-------|----------|-----------------------|
| | DN (mm) | NPS in (inch) | | | | | Carbon Steel. | Stainless Steel | Duplex. | 6Mo. | Titanium | |
| T-LS-001-0050 | DN 50 | 2" | 100 | 60 | 50 | 2 | 80 | 47 | 80 | 67.6 | 61.6 | 1.5 |
| T-LS-001-0080 | DN 80 | 3" | 100 | 60 | 50 | 2 | 80 | 47 | 80 | 67.6 | 61.6 | 1.5 |
| T-LS-001-0100 | DN 100 | 4" | 100 | 60 | 50 | 2 | 80 | 47 | 80 | 67.6 | 61.6 | 1.5 |
| T-LS-001-0125 | DN 125 | 5" | 100 | 60 | 50 | 2 | 80 | 47 | 80 | 67.6 | 61.6 | 1.5 |
| T-LS-001-0150 | DN 150 | 6" | 100 | 60 | 50 | 2 | 80 | 47 | 80 | 67.6 | 61.6 | 1.5 |
| T-LS-001-0200 | DN 200 | 8" | 100 | 60 | 50 | 2 | 80 | 47 | 80 | 67.6 | 61.6 | 1.5 |
| T-LS-001-0250 | DN 250 | 10" | 100 | 90 | 80 | 2 | 120 | 70.8 | 120 | 101.4 | 92.4 | 2.5 |
| T-LS-001-0300 | DN 300 | 12" | 100 | 90 | 80 | 2 | 120 | 70.8 | 120 | 101.4 | 92.4 | 2.5 |
| T-LS-001-0350 | DN 350 | 14" | 150 | 110 | 150 | 2 | 150 | 88.5 | 150 | 216 | 115.5 | 5.9 |
| T-LS-001-0400 | DN 400 | 16" | 150 | 110 | 150 | 2 | 150 | 88.5 | 150 | 228 | 115.5 | 5.9 |
| T-LS-001-0450 | DN 450 | 18" | 150 | 110 | 150 | 2 | 150 | 88.5 | 150 | 235 | 115.5 | 5.9 |
| T-LS-001-0500 | DN 500 | 20" | 150 | 110 | 150 | 2 | 150 | 88.5 | 150 | 237 | 115.5 | 5.9 |
| T-LS-001-0550 | DN 550 | 22" | 150 | 110 | 150 | 2 | 150 | 88.5 | 150 | 252 | 115.5 | 5.9 |
| T-LS-001-0600 | DN 600 | 24" | 150 | 110 | 150 | 2 | 150 | 88.5 | 150 | 254 | 115.5 | 5.9 |
| T-LS-001-0650 | DN 650 | 26" | 150 | 110 | 150 | 2 | 150 | 88.5 | 150 | 256 | 115.5 | 5.9 |
| T-LS-001-0700 | DN 700 | 28" | 150 | 110 | 150 | 2 | 150 | 88.5 | 150 | 264 | 115.5 | 5.9 |
| T-LS-001-0750 | DN 750 | 30" | 150 | 110 | 150 | 2 | 150 | 88.5 | 150 | 271 | 115.5 | 5.9 |
| T-LS-001-0800 | DN 800 | 32" | 150 | 110 | 150 | 2 | 150 | 88.5 | 150 | 271 | 115.5 | 5.9 |
| T-LS-001-0850 | DN 850 | 34" | 150 | 110 | 150 | 2 | 150 | 88.5 | 150 | 276 | 115.5 | 5.9 |
| T-LS-001-0900 | DN 900 | 36" | 150 | 110 | 150 | 2 | 150 | 88.5 | 150 | 282 | 115.5 | 5.9 |
| T-LS-001-0950 | DN 950 | 38" | 150 | 110 | 150 | 2 | 150 | 88.5 | 150 | 283 | 115.5 | 5.9 |
| T-LS-001-1000 | DN 1000 | 40" | 150 | 110 | 150 | 2 | 150 | 88.5 | 150 | 288 | 115.5 | 5.9 |
| T-LS-001-1050 | DN 1050 | 42" | 150 | 110 | 150 | 2 | 150 | 88.5 | 150 | 288 | 115.5 | 5.9 |
| T-LS-001-1100 | DN 1100 | 44" | 150 | 110 | 150 | 2 | 150 | 88.5 | 150 | 288 | 115.5 | 5.9 |
| T-LS-001-1150 | DN 1150 | 46" | 150 | 110 | 150 | 2 | 150 | 88.5 | 150 | 288 | 115.5 | 5.9 |
| T-LS-001-1200 | DN 1200 | 48" | 150 | 110 | 150 | 2 | 150 | 88.5 | 150 | 288 | 115.5 | 5.9 |

All Welds to be a = 0.7 x WT, but max 4 mm CFW.

Line Stop to be site located and welded.

Reduce maximum loads by 40% for Line Stop without Rest function.



LS-002
LINE STOPS FOR SHOES / TRUNNION 50 – 1200MM / 2” – 48”

| TYPICAL PART NUMBER | AVAILABLE MATERIAL SHORT CODE | STD. DETAIL TEMPERATURE LIMITATION | |
|---------------------|-------------------------------|------------------------------------|-------------------|
| | | MAX. DESIGN TEMP. | MIN. DESIGN TEMP. |
| T-LS-002-000A-CS | CS | N/A | (-) 46 °C |
| T-LS-002-000A-LD | LD | N/A | (-) 46 °C |
| T-LS-002-000A-SS | SS | N/A | (-) 105 °C |
| T-LS-002-000A-Ti | Ti | N/A | (-) 196 °C |

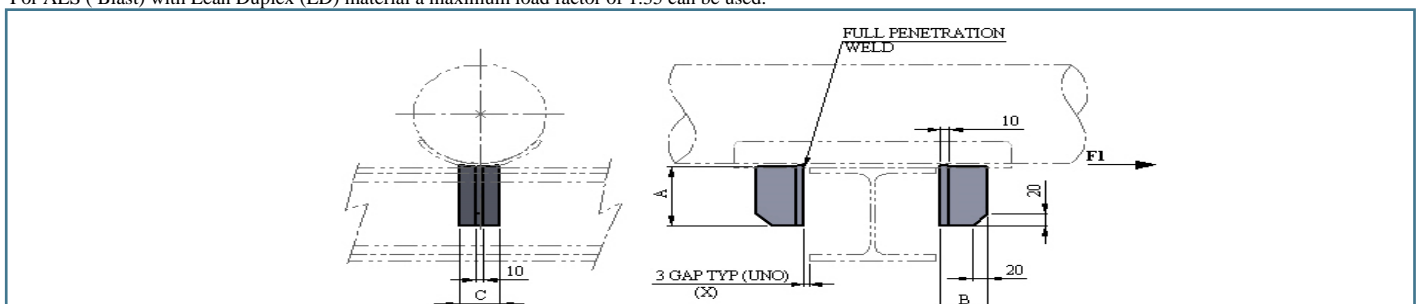
| TYPE | LINE SIZE | | A | B | C | Qty. | MAXIMUM LOADS F1 (kN) (See note) | | | | WEIGHTS (in kg) CS |
|---------------|-----------|---------------|-----|-----|-----|------|--|------|------|------|--------------------------|
| | DN (mm) | NPS in (inch) | | | | | CS | LD | SS | Ti | |
| T-LS-002-000A | DN 50 | 2" | 100 | 60 | 50 | 2 | 80 | 100 | 47 | 63 | 1.54 |
| | DN 80 | 3" | 100 | 60 | 50 | 2 | 80 | 100 | 47 | 63 | 1.54 |
| | DN 100 | 4" | 100 | 60 | 50 | 2 | 80 | 100 | 47 | 63 | 1.54 |
| | DN 125 | 5" | 100 | 60 | 50 | 2 | 80 | 100 | 47 | 63 | 1.54 |
| | DN 150 | 6" | 100 | 60 | 50 | 2 | 80 | 100 | 47 | 63 | 1.54 |
| T-LS-002-000B | DN 200 | 8" | 100 | 60 | 50 | 2 | 80 | 100 | 47 | 63 | 1.54 |
| | DN 250 | 10" | 100 | 90 | 80 | 2 | 120 | 150 | 70.8 | 95 | 2.48 |
| T-LS-002-000C | DN 300 | 12" | 100 | 90 | 80 | 2 | 120 | 150 | 70.8 | 95 | 2.48 |
| | DN 350 | 14" | 150 | 110 | 150 | 2 | 150 | 190 | 88.5 | 116 | 5.86 |
| | DN 400 | 16" | 150 | 110 | 150 | 2 | 150 | 190 | 88.5 | 116 | 5.86 |
| | DN 450 | 18" | 150 | 110 | 150 | 2 | 150 | 190 | 88.5 | 116 | 5.86 |
| | DN 500 | 20" | 150 | 110 | 150 | 2 | 150 | 190 | 88.5 | 116 | 5.86 |
| | DN 550 | 22" | 150 | 110 | 150 | 2 | 150 | 190 | 88.5 | 116 | 5.86 |
| | DN 600 | 24" | 150 | 110 | 150 | 2 | 150 | 190 | 88.5 | 116 | 5.86 |
| | DN 650 | 26" | 150 | 110 | 150 | 2 | 150 | 190 | 88.5 | 116 | 5.86 |
| | DN 700 | 28" | 150 | 110 | 150 | 2 | 150 | 190 | 88.5 | 116 | 5.86 |
| | DN 750 | 30" | 150 | 110 | 150 | 2 | 150 | 190 | 88.5 | 116 | 5.86 |
| | DN 800 | 32" | 150 | 110 | 150 | 2 | 150 | 190 | 88.5 | 116 | 5.86 |
| | DN 850 | 34" | 150 | 110 | 150 | 2 | 150 | 190 | 88.5 | 116 | 5.86 |
| | DN 900 | 36" | 150 | 110 | 150 | 2 | 150 | 190 | 88.5 | 116 | 5.86 |
| | DN 950 | 38" | 150 | 110 | 150 | 2 | 150 | 190 | 88.5 | 116 | 5.86 |
| | DN 1000 | 40" | 150 | 110 | 150 | 2 | 150 | 190 | 88.5 | 116 | 5.86 |
| | DN 1050 | 42" | 150 | 110 | 150 | 2 | 150 | 190 | 88.5 | 116 | 5.86 |
| | DN 1100 | 44" | 150 | 110 | 150 | 2 | 150 | 190 | 88.5 | 116 | 5.86 |
| | DN 1150 | 46" | 150 | 110 | 150 | 2 | 150 | 190 | 88.5 | 116 | 5.86 |
| DN 1200 | 48" | 150 | 110 | 150 | 2 | 150 | 190 | 88.5 | 116 | 5.86 | |

All Welds to be a = 0.7 x WT, but max 4 mm CFW.

Line Stop to be site located and welded.

Reduce maximum loads by 40% For Line Stop without Rest function.

For ALS (Blast) with Lean Duplex (LD) material a maximum load factor of 1.35 can be used.



LS-003
LINE STOP FOR SHOE ON GRE / GRP- LINES 50 – 1400MM / 2” – 56”

| TYPICAL PART NUMBER | AVAILABLE MATERIAL SHORT CODE | STD. DETAIL TEMPERATURE LIMITATION | |
|---------------------|-------------------------------|------------------------------------|-------------------|
| | | MAX. DESIGN TEMP. | MIN. DESIGN TEMP. |
| T-LS-003-(DN)-CS | CS | As for Line Spec. | N/A |
| T-LS-003-(DN)-SS | SS | As for Line Spec. | N/A |

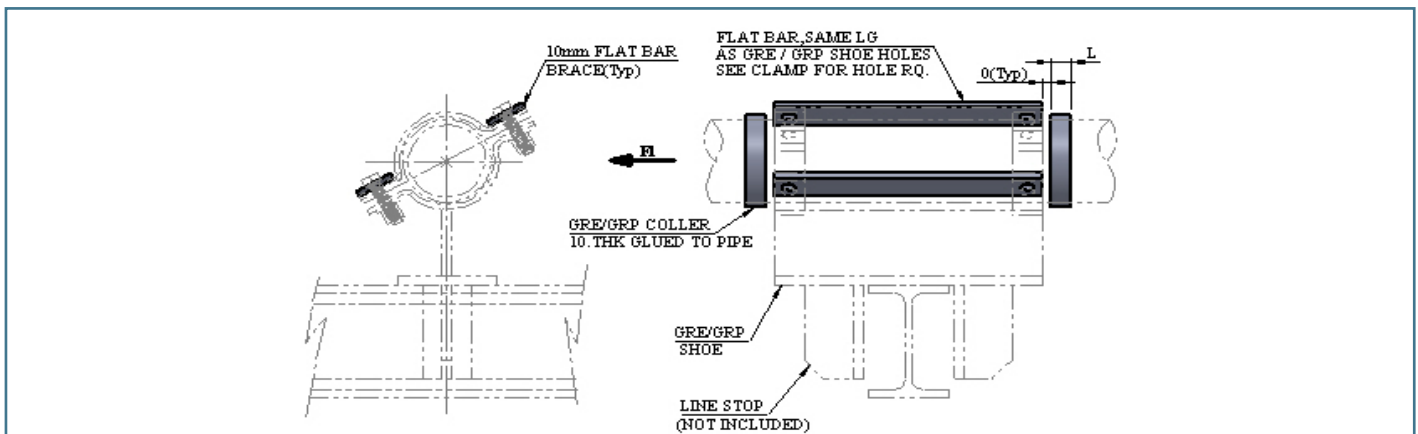
| TYPE | LINE SIZE | | L | MAXIMUM LOADS Fl (kN) |
|---------------|-----------|---------------|-----|--------------------------|
| | DN (mm) | NPS in (inch) | | |
| T-LS-003-0050 | DN 50 | 2" | 50 | 14 |
| T-LS-003-0080 | DN 80 | 3" | 50 | 21 |
| T-LS-003-0100 | DN 100 | 4" | 50 | 27 |
| T-LS-003-0150 | DN 150 | 6" | 100 | 36 |
| T-LS-003-0200 | DN 200 | 8" | 100 | 60 |
| T-LS-003-0250 | DN 250 | 10" | 100 | 60 |
| T-LS-003-0300 | DN 300 | 12" | 100 | 60 |
| T-LS-003-0350 | DN 350 | 14" | 100 | 75 |
| T-LS-003-0400 | DN 400 | 16" | 100 | 75 |
| T-LS-003-0450 | DN 450 | 18" | 100 | 75 |
| T-LS-003-0500 | DN 500 | 20" | 100 | 75 |
| T-LS-003-0600 | DN 600 | 24" | 100 | 75 |
| T-LS-003-0700 | DN 700 | 28" | 150 | 75 |
| T-LS-003-0750 | DN 750 | 30" | 150 | 75 |
| T-LS-003-0800 | DN 800 | 32" | 150 | 75 |
| T-LS-003-0900 | DN 900 | 36" | 150 | 75 |
| T-LS-003-1000 | DN 1000 | 40" | 150 | 75 |
| T-LS-003-1050 | DN 1050 | 42" | 150 | 75 |
| T-LS-003-1100 | DN 1100 | 44" | 150 | 75 |
| T-LS-003-1150 | DN 1150 | 46" | 150 | 75 |
| T-LS-003-1200 | DN 1200 | 48" | 150 | 75 |
| T-LS-003-1400 | DN 1400 | 56" | 150 | 75 |

Allowable shear force of adhesive on GRE / GRP Stop = 1.5 N/mm².

GRE collar Pl. shall be made from purpose built pipe to fit pipe diameter.

Flat bar brace, same width as pipe clamp.

Dim L is linked to the maximum loads given. GRE/GRP Pipe vendor to confirm / approve final design.



LS-004
ADJUSTABLE LINE STOP / LINE GUIDE

| TYPICAL PART NUMBER | AVAILABLE MATERIAL SHORT CODE | STD DETAIL TEMPERATURE LIMITATION | |
|---------------------|-------------------------------|-----------------------------------|-------------------|
| | | MAX. DESIGN TEMP | MIN. DESIGN TEMP. |
| T-LS-004-000A-LD | LD | N/A | (-) 46 °C |
| T-LS-004-000A-CS | CS | N/A | (-) 46 °C |
| T-LS-004-000A-SS | SS | N/A | (-) 105 °C |

| TYPE | BOLTING INFORMATION | QTY | MAX. LOADS FI (kN) | | | WEIGHTS (in kg) CS |
|---------------|--|-----|--------------------|----|----|--------------------|
| | | | LD | CS | SS | |
| T-LS-004-000A | 2 OFF M24 STUDBOLTS x 115 LONG WITH TRIPPLE NUTS | 2 | 34 | 27 | 16 | 7.92 |

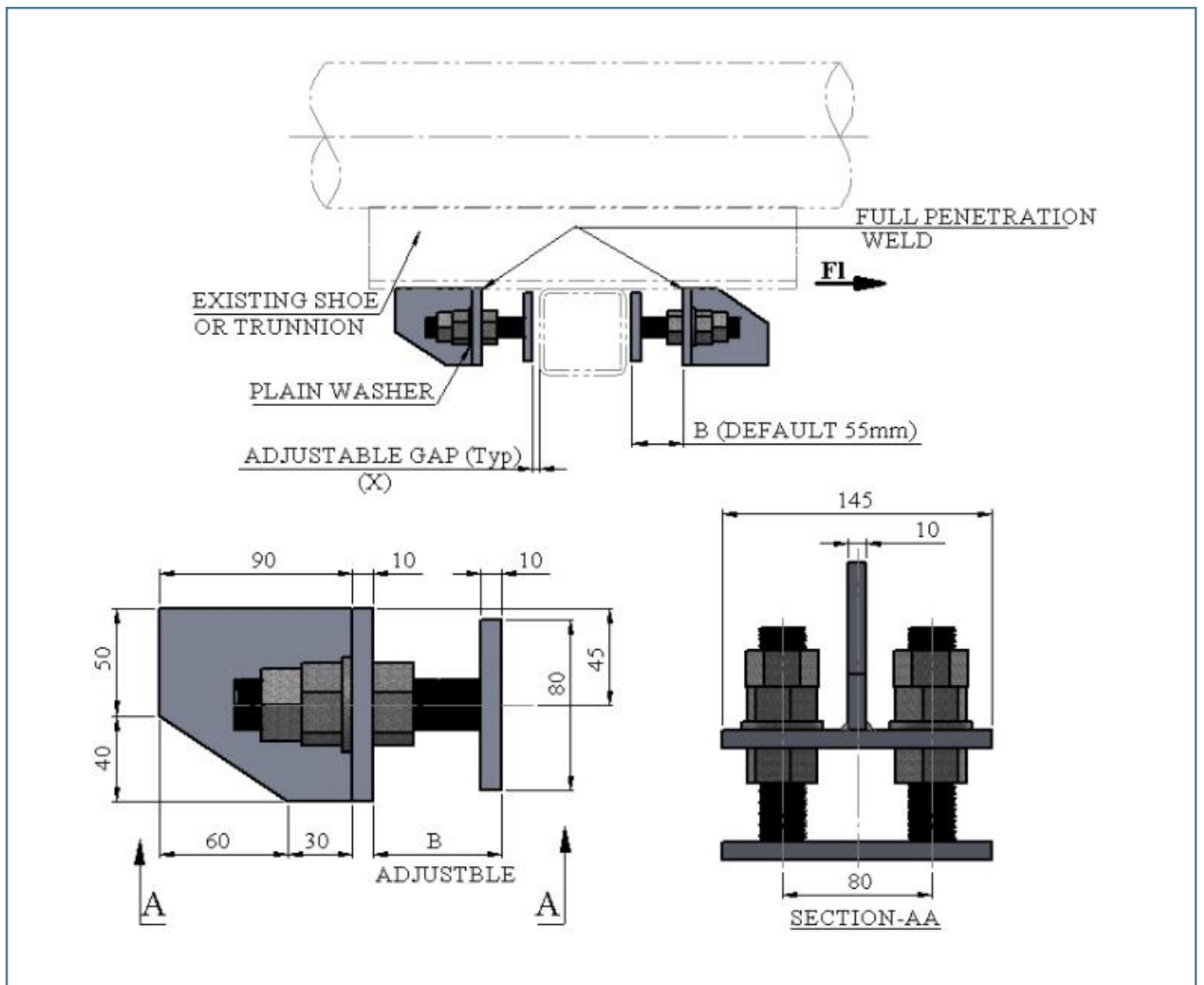
All Welds to be a = 0.7 x WT, but max 4 mm CFW.

Line Stop / Line Guide to be site located and welded.

Standard type includes all bolts , plain washers and tripple nuts. Bolts to have a minimum overlength of 3 threads.

Bolt Quality to be ANSI A4-80SS (SS & LD Detail) and ASTM A193 Grade B7 (CS Detail).

For Material LD (Lean Duplex) maximum Blast (ALS) load FI (kN) the value increased by factor 1,35 can be used.



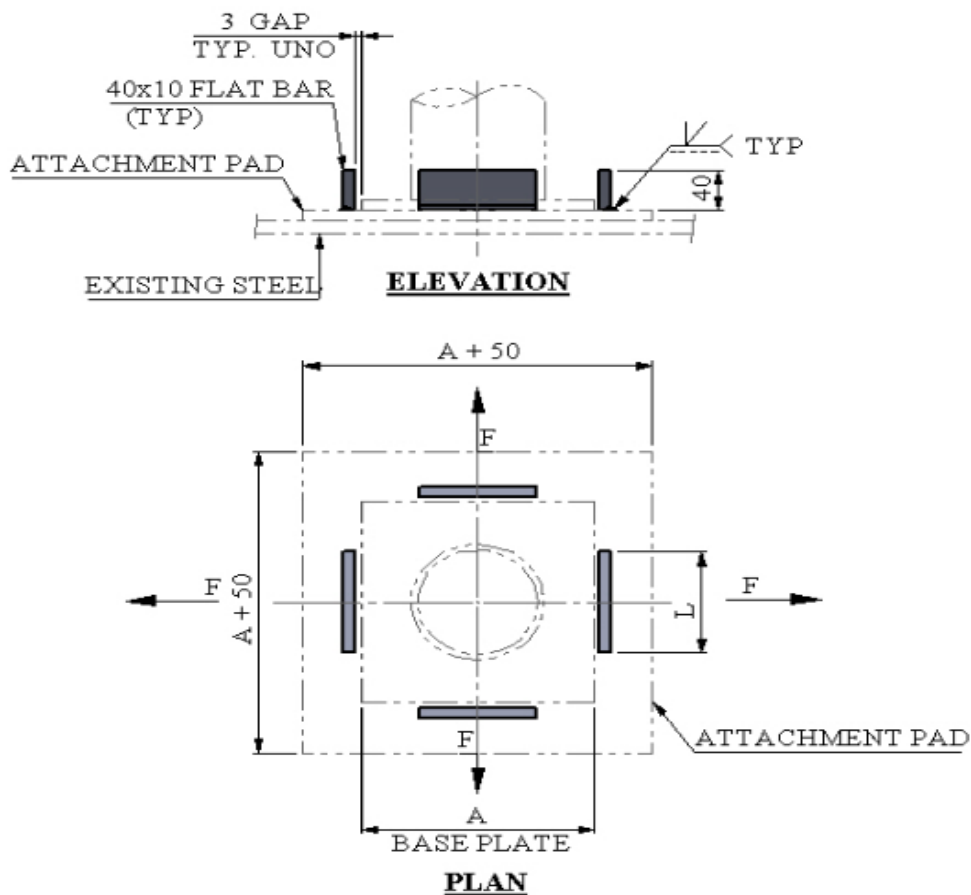
LS-005
STOP FOR POST BASE PLATE

| TYPE | L | MAXIMUM LOAD F (kN) | | | | SUPPORT FUNCTION | WEIGHTS (in kg) CS |
|---------------|-----|---------------------|------|------|------|-----------------------|--------------------------|
| | | CS | SS | Al | Ti | | |
| T-LS-005-000A | 50 | 45 | 26.5 | 12.6 | 34.7 | RS, LG, LS (See Note) | 0.63 |
| T-LS-005-000B | 100 | 90 | 53 | 25 | 69.3 | RS, LG, LS (See Note) | 1.25 |
| T-LS-005-000C | 150 | 135 | 79.6 | 37.8 | 104 | RS, LG, LS (See Note) | 1.84 |

| TYPICAL PART NUMBER | AVAILABLE MATERIAL SHORT CODE | STD DETAIL TEMPERATURE LIMITATION | |
|---------------------|-------------------------------|-----------------------------------|-------------------|
| | | MAX. DESIGN TEMP. | MIN. DESIGN TEMP. |
| T-LS-005-000A-CS | CS | N/A | N/A |
| T-LS-005-000A-SS | SS | N/A | N/A |
| T-LS-005-000A-AL | AL | N/A | N/A |
| T-LS-005-000A-Ti | Ti | N/A | N/A |

For material specification, See pipe support work Instruction.

Detail only to be used on Rest , Guide and Stop combination. Lift off not allowed.



LS-006
ADJUSTABLE LINE STOP FOR NON-INSULATED LINES 080 – 750 MM / 3” – 30”

| TYPICAL PART NUMBER | AVAILABLE MATERIAL SHORT CODE | STD DETAIL TEMPERATURE LIMITATION | |
|---------------------|-------------------------------|-----------------------------------|-------------------|
| | | MAX. DESIGN TEMP. | MIN. DESIGN TEMP. |
| T-LS-006-(DN)-CS | CS | AS FOR LINE SPEC. | (-) 46 °C |
| T-LS-006-(DN)-SS | SS | AS FOR LINE SPEC. | (-) 105 °C |
| T-LS-006-(DN)-DU | Du | AS FOR LINE SPEC. | (-) 46 °C |
| T-LS-006-(DN)-LD | LD | AS FOR LINE SPEC. | (-) 46 °C |
| T-LS-006-(DN)-6Mo | 6Mo | AS FOR LINE SPEC. | (-) 105 °C |

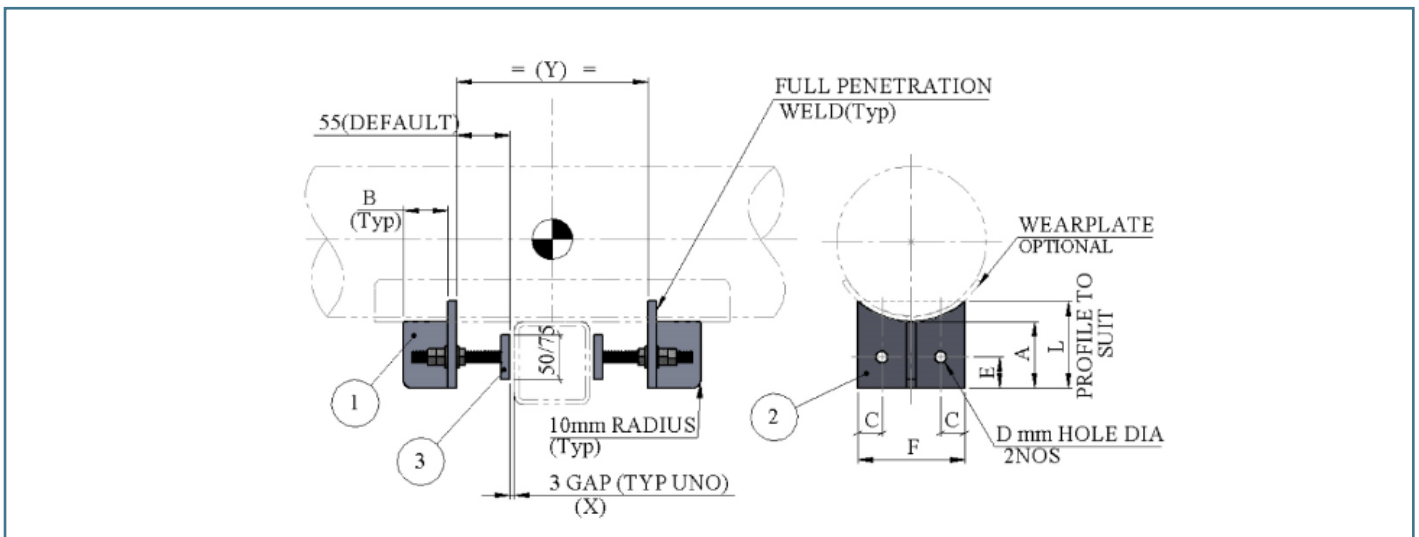
| TYPE | LINE SIZE | | PLATE A x B x THK ① | CUT FROM PLATE F x L x THK ② | C | D | E | PLATE ③ | STUD BOLTS c/w WASHERS & NUTS | MAXIMUM LOADS (kN) F | WEIGHTS (in kg) CS |
|---------------|-----------|------------------|---------------------------|---------------------------------------|----|----|----|---------------|-------------------------------------|----------------------------|--------------------------|
| | DN (mm) | NPS in (inch) | | | | | | | | | |
| T-LS-006-0080 | DN 80 | 3" | 60 x 50 x 10 | 90 x 75 x 10 | 20 | 13 | 25 | 90 x 50 x 10 | 4 - M12 x 100 LG. | 43 | 2.56 |
| T-LS-006-0100 | DN 100 | 4" | 60 x 50 x 10 | 90 x 75 x 10 | 20 | 13 | 25 | 90 x 50 x 10 | 4 - M12 x 100 LG. | | 2.56 |
| T-LS-006-0125 | DN 125 | 5" | 60 x 50 x 10 | 90 x 75 x 10 | 20 | 13 | 25 | 90 x 50 x 10 | 4 - M12 x 100 LG. | | 2.56 |
| T-LS-006-0150 | DN 150 | 6" | 75 x 50 x 10 | 120 x 100 x 10 | 27 | 13 | 40 | 120 x 50 x 10 | 4 - M12 x 100 LG. | | 3.94 |
| T-LS-006-0200 | DN 200 | 8" | 75 x 75 x 10 | 120 x 100 x 10 | 27 | 13 | 40 | 120 x 50 x 10 | 4 - M16 x 120 LG. | | 4.84 |
| T-LS-006-0250 | DN 250 | 10" | 85 x 85 x 15 | 150 x 110 x 15 | 35 | 18 | 40 | 150 x 75 x 15 | 4 - M20 x 100 LG. | 100 | 9.86 |
| T-LS-006-0300 | DN 300 | 12" | 85 x 85 x 15 | 150 x 110 x 15 | 35 | 22 | 40 | 150 x 75 x 15 | 4 - M20 x 100 LG. | | 9.86 |
| T-LS-006-0350 | DN 350 | 14" | 85 x 85 x 15 | 150 x 110 x 15 | 35 | 22 | 40 | 150 x 75 x 15 | 4 - M20 x 100 LG. | | 9.86 |
| T-LS-006-0400 | DN 400 | 16" | 85 x 85 x 15 | 150 x 110 x 15 | 35 | 22 | 40 | 150 x 75 x 15 | 4 - M20 x 100 LG. | | 9.86 |
| T-LS-006-0450 | DN 450 | 18" | 85 x 85 x 15 | 150 x 110 x 15 | 35 | 22 | 40 | 150 x 75 x 15 | 4 - M20 x 100 LG. | | 9.86 |
| T-LS-006-0500 | DN 500 | 20" | 85 x 85 x 15 | 150 x 110 x 15 | 35 | 22 | 40 | 150 x 75 x 15 | 4 - M20 x 100 LG. | | 9.86 |
| T-LS-006-0550 | DN 550 | 22" | 85 x 85 x 15 | 150 x 110 x 15 | 35 | 22 | 40 | 150 x 75 x 15 | 4 - M20 x 100 LG. | | 9.86 |
| T-LS-006-0600 | DN 600 | 24" | 85 x 85 x 15 | 150 x 110 x 15 | 35 | 22 | 40 | 150 x 75 x 15 | 4 - M20 x 100 LG. | | 9.86 |
| T-LS-006-0650 | DN 650 | 26" | 85 x 85 x 15 | 150 x 110 x 15 | 35 | 22 | 40 | 150 x 75 x 15 | 4 - M20 x 100 LG. | | 9.86 |
| T-LS-006-0700 | DN 700 | 28" | 85 x 85 x 15 | 150 x 110 x 15 | 35 | 22 | 40 | 150 x 75 x 15 | 4 - M20 x 100 LG. | | 9.86 |
| T-LS-006-0750 | DN 750 | 30" | 85 x 85 x 15 | 150 x 110 x 15 | 35 | 22 | 40 | 150 x 75 x 15 | 4 - M20 x 100 LG. | | 9.86 |

All Welds to be a = 0.7 x WT, but max 4 mm CFW.

After pipe installation , Line Stop to be adjusted to the required gap dimension and All nuts locked.

Standard type includes all bolts , plain washers and tripple nuts. Bolts to have a minimum overlength of 3 threads.

The washer type to be used shall be approved by the project client , See Also the pipe support work instruction.



LS-007
BOLTED LINES STOP FOR SHOES WITH DOUBLE NUT (NO LIFT - OFF)

| TYPICAL PART NUMBER | AVAILABLE MATERIAL SHORT CODE | STD. DETAIL TEMPERATURE LIMITATION | |
|---------------------|-------------------------------|------------------------------------|-------------------|
| | | MAX. DESIGN TEMP. | MIN. DESIGN TEMP. |
| T-LS-008-000A-CS | CS | N/A | N/A |
| T-LS-008-000A-SS | SS | N/A | N/A |
| T-LS-008-000A-LD | LD | N/A | N/A |

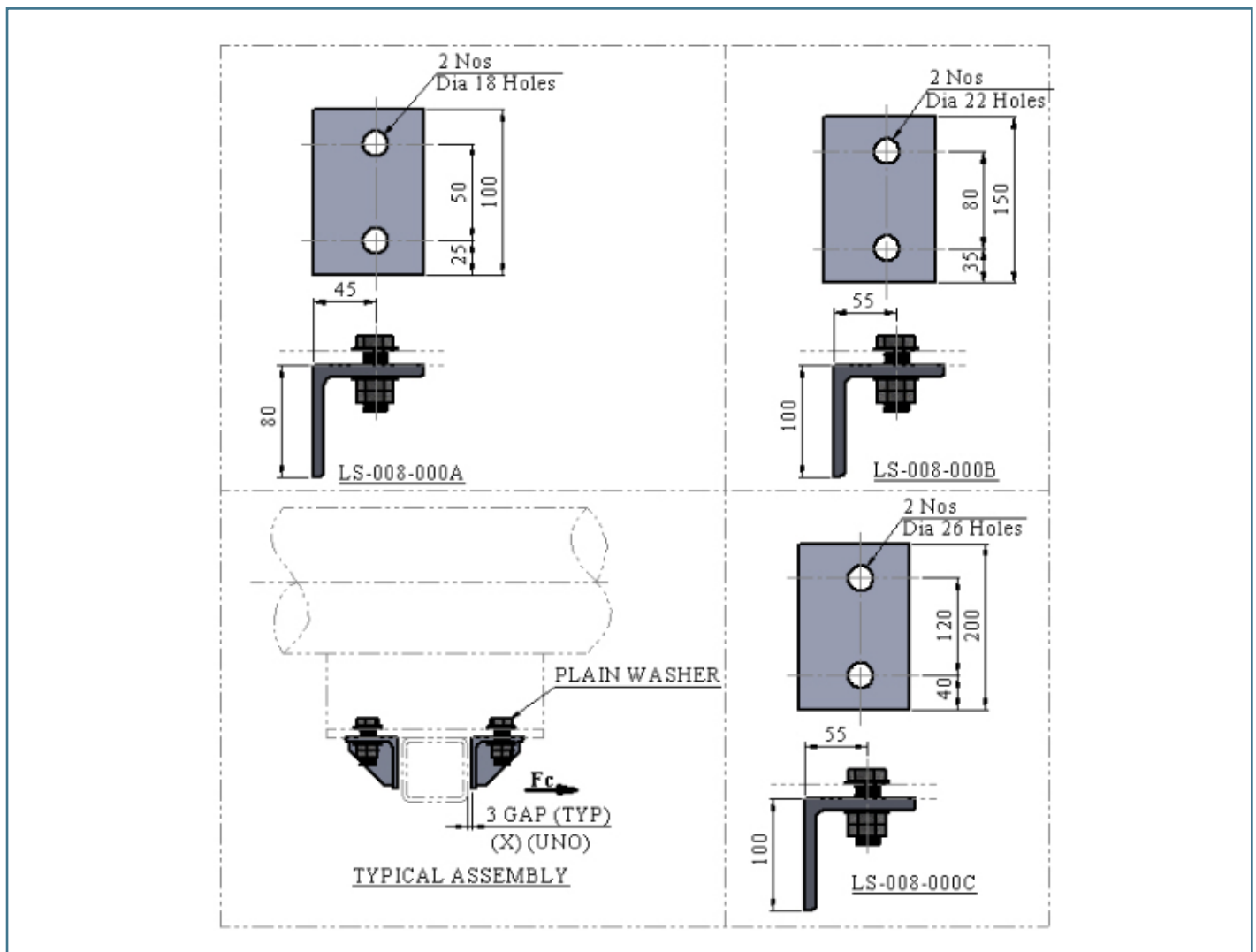
| TYPE | B SECTION | LINE SIZE | BOLTING | MAX. LOADS Fc (kN) | WEIGHTS (in kg) CS |
|----------------|------------------|------------|----------|-----------------------|--------------------------|
| T-LS-008--000A | L80 x 80 x 8 | 2" TO 8" | M16 x 70 | 36 | 2.2 |
| T-LS-008--000B | L100 x L100 x 10 | 10" TO 48" | M20 x 80 | 56 | 4.9 |
| T-LS-008--000C | L100 x L100 x 10 | 12" TO 48" | M24 x 90 | 80 | 6.9 |

Allowable loads are based on shear force in bolt. Does not allow Lift off with Stop forces.

Line Stops to be site located and drilled.

Standard Type includes all bolts (Fully Threaded with a min. overlength of 3 Threads.), plain washers and double nuts.

The washer type to be used shall be approved by the project client , See also the pipe support work instruction.



LS-008
BOLTED LINE STOP WITH BRACE FOR SHOES

| TYPICAL PART NUMBER | AVAILABLE MATERIAL SHORT CODE | STD. DETAIL TEMPERATURE LIMITATION | |
|---------------------|-------------------------------|------------------------------------|-------------------|
| | | MAX. DESIGN TEMP. | MIN. DESIGN TEMP. |
| T-LS-010-000A-CS | CS | N/A | N/A |
| T-LS-010-000A-SS | SS | N/A | N/A |
| T-LS-010-000A-LD | LD | N/A | N/A |

| TYPE | B SECTION | LINE SIZE | BOLTING | MAX. LOADS Fc (kN) | WEIGHTS (in kg) CS |
|---------------|------------------|------------|----------|--------------------|--------------------|
| T-LS-010-000A | L80 x 80 x 8 | 2" TO 8" | M16 x 70 | 36 | 2.4 |
| T-LS-010-000B | L100 x L100 x 10 | 10" TO 48" | M20 x 80 | 56 | 5.2 |
| T-LS-010-000C | L100 x L100 x 10 | 12" TO 48" | M24 x 90 | 80 | 7.2 |

Allowable loads are based on shear force in bolt.

Line Stops to be site located and drilled.

Standard type includes all bolts (Fully Threaded with a min. overlength of 3 Threads.), plain washers and double nuts.

The washer type to be used shall be approved by the project client, See also the pipe support work instruction.

